



SHREDDING



GRANULATION



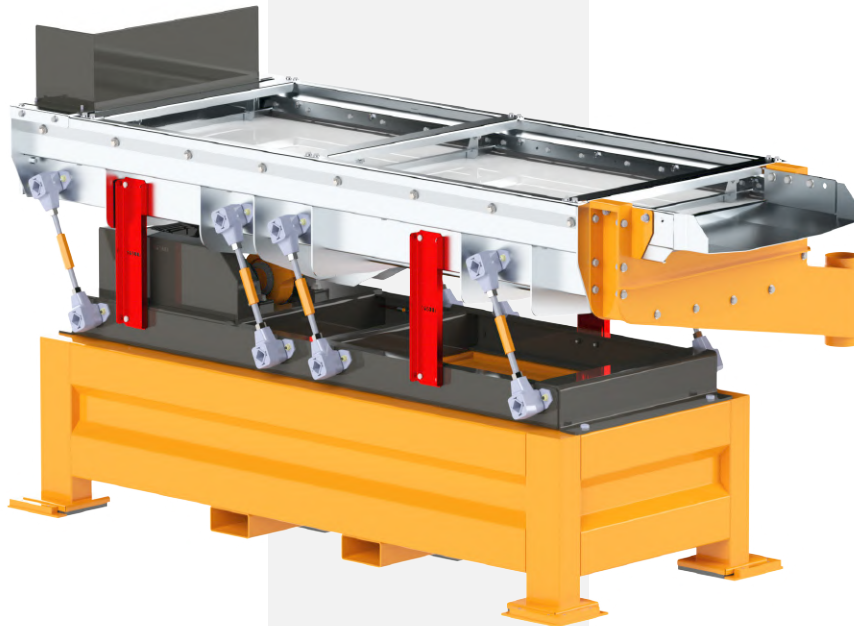
AIR DENSITY



SIEVING TABLE

TAM 700 / 850

MADE IN FRANCE



SIEVING TABLE FINAL SEPARATION

MTB sieves are designed for the final separation of products based on materials size and shape. The sieving table media consists of either a wire mesh or perforated plate. The openings of the screening media is determined based on the material treated, the location of the table in the line and the needs of the customer

Particularly valuable for cable recycling after a density table (final grade separation) and for tire recycling (textile extraction), their simple and robust design make them beneficial for many different applications.

APPLICATION SPECIALTIES



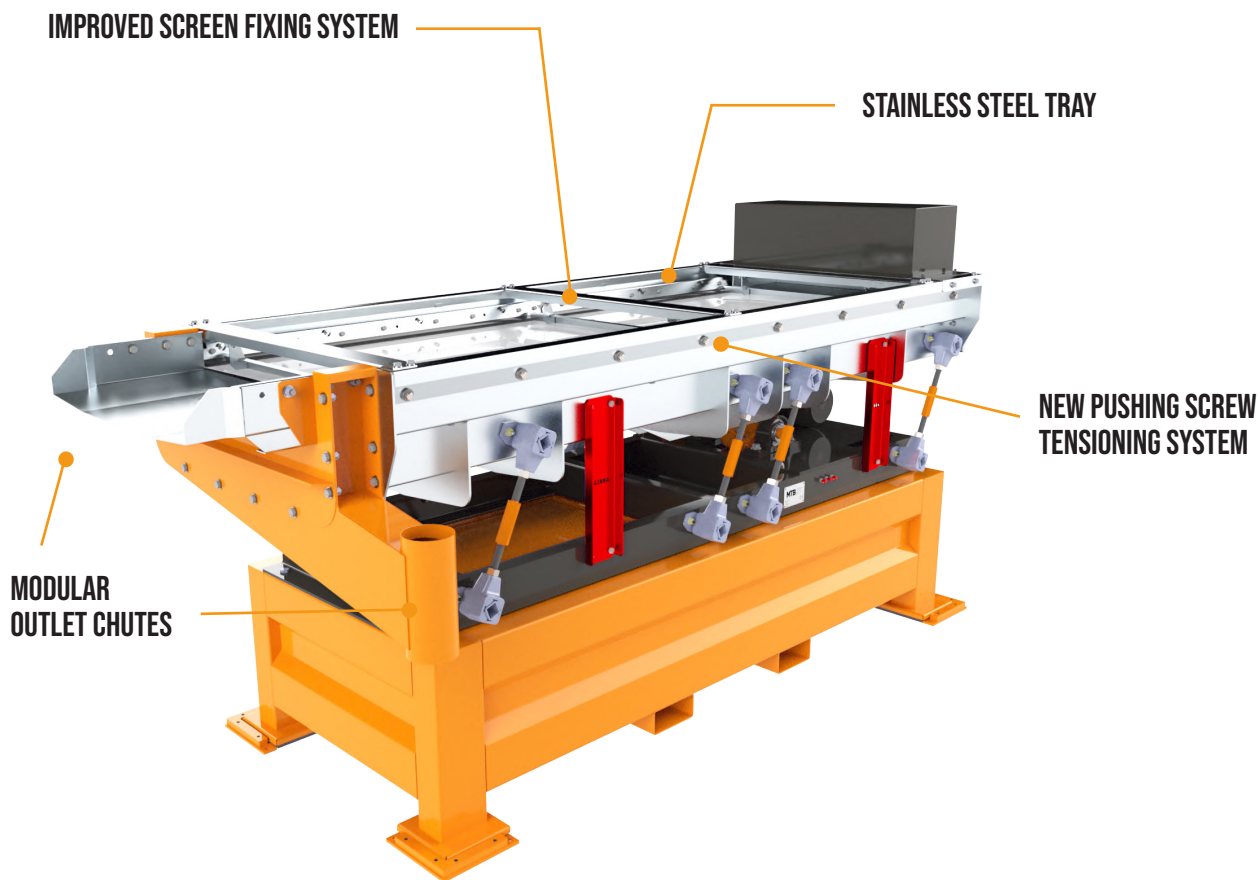
COPPER



RUBBER



ALUMINUM



ADVANTAGES

- + Size segregation based on material geometry
- + Improved screen fixing system for ultra fast screen replacement process
- + New pushing screw tensioning system to keep screen tightened constantly and provide increased lifetime
- + Wide range of meshes and perforated plates available for the fine tuning of the separation of materials
- + Stainless steel tray for reduced wear and longer lifetime
- + Combined with air density tables on our processes, our sieves provide unmatched in-depth sorting quality
- + Modular outlet chutes for seamless transition for conveyors

	SIEVING WIDTH	SIEVING LENGTH	POWER
TAM 700	650 MM	1.300 MM	1 HP / 0.75 kW
TAM 850	800 MM	2.300 MM	3 HP / 2.2 kW

OUR PREMIUM SERVICES

- Customized engineering
- Experience from being operator
- On-site installation and commissioning
- Training on both operation and maintenance
- Ultra-responsive customer service